

CONFERENZAGNL 2017

CONFERENZAGNL
2017
EXPOGNL

10-11 May 2017
Mostra d'Oltremare, Naples – Italy

Small Scale to large Market Strategies & Technologies towards the Mediterranean Area

The technical regulation of LNG final uses

Cristiano Fiameni – CIG Technical Director

10-11 May 2017
Mostra d'Oltremare, Naples – Italy

La regolazione tecnica degli usi finali del GNL

CONFERENZA GNL
2017
EXPO GNL

10-11 May 2017
Mostra d'Oltremare, Naples - Italy

CIG - Italian Gas Committee



Comitato Italiano Gas

Federated Body to UNI

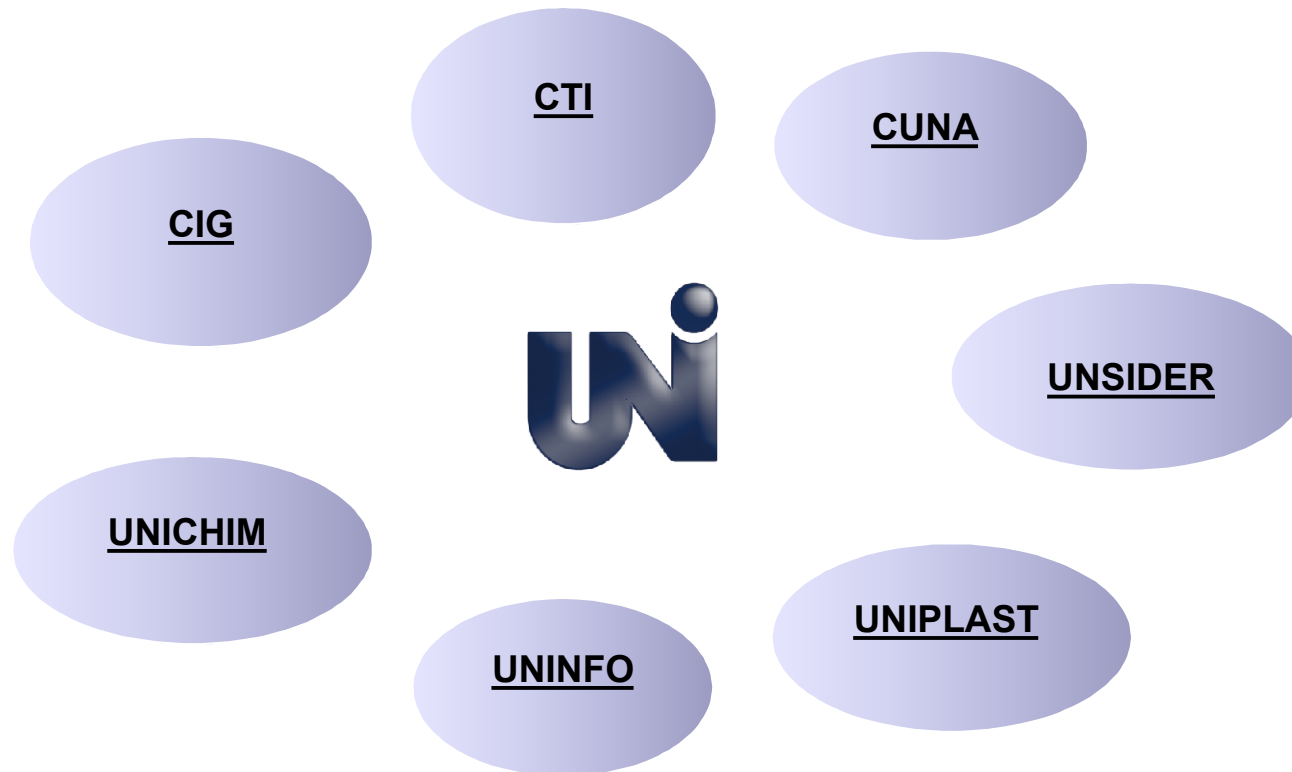


La regolazione tecnica degli usi finali del GNL

CONFERENZA GNL
2017
EXPO GNL

10-11 May 2017
Mostra d'Oltremare, Naples - Italy

UNI SYSTEM FOR STANDARDISATION



La regolazione tecnica degli usi finali del GNL

CONFERENZA GNL
2017
EXPO GNL

10-11 May 2017
Mostra d'Oltremare, Naples - Italy

CIG

- December 1953: It is constituted the Italian Gas Committee (CIG) with the aim to improve safety and efficiency in the use of combustible gases;
- 1960 CIG joins UNI (Italian National Standardization Body) as a federated entity, becoming the Italian official organ for the standardization in the fuel gas sector.
- CIG participates, based on the UNI delegation, to the works within its competences, taking place at the European Standardization bodies (CEN) and international (ISO), within which the UNI represents Italy; CIG indicates to UNI the names of the experts and delegates for the various technical committees and working groups; CIG reports to UNI on progress; It expresses the national position (comments and votes) on the draft standards under enquiry or Final Vote
- CIG cooperates with the Italian Authority for Electricity, Gas and the water system (AEEGSI).

La regolazione tecnica degli usi finali del GNL

CONFERENZA GNL
2017
EXPO GNL

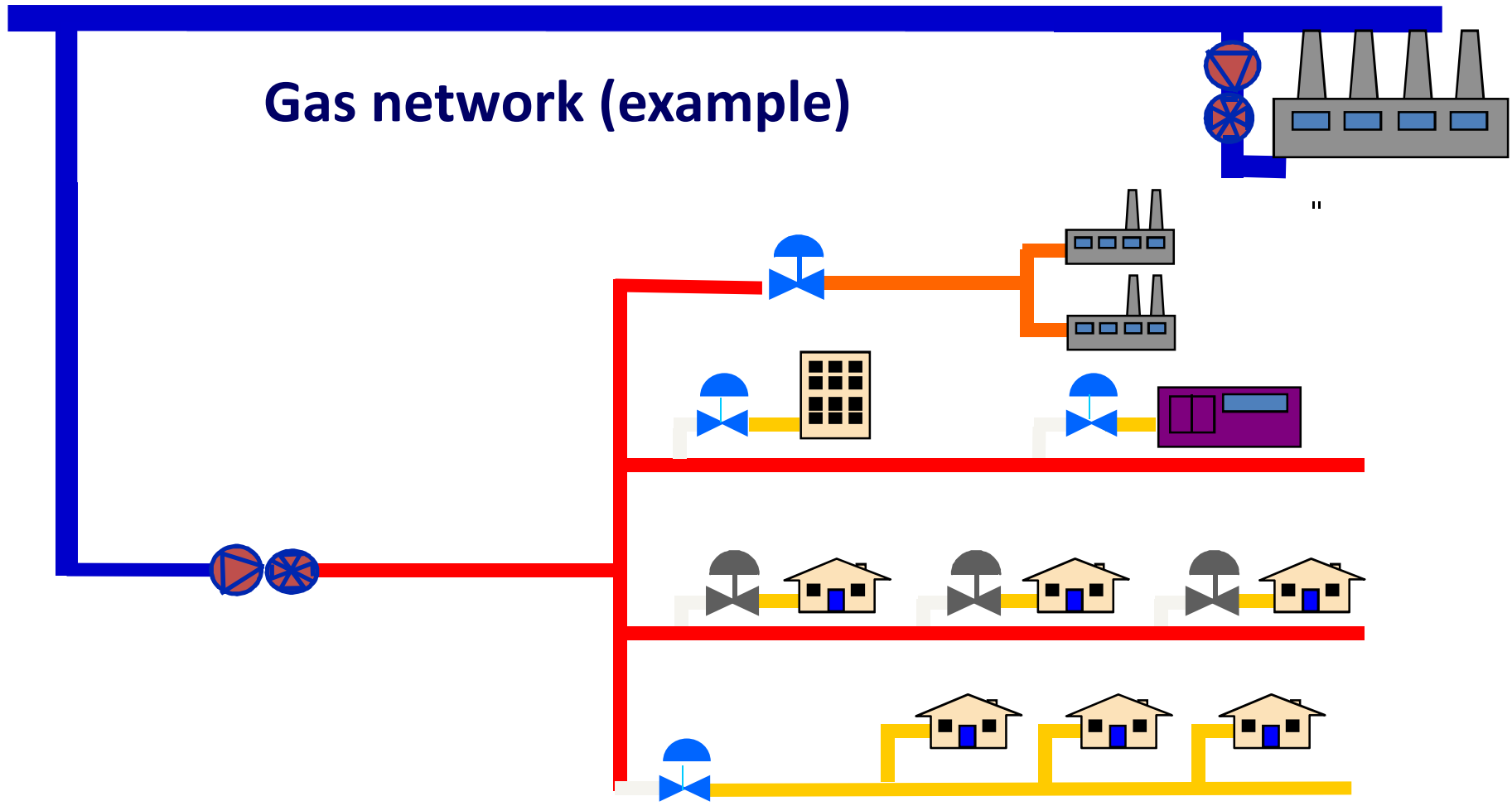
10-11 May 2017
Mostra d'Oltremare, Naples - Italy

CIG activities

- Technical Document Processing
 - **Standards, reports, specifications, guidelines**
 - Attendance into CEN, ISO, Marcogaz, IGU
- Support to the Italian regulatory authority AEEGSI
 - MoU (3 years)
 - Insurance in favor of the final gas household customers
 - Annual Statistics on Emergencies and Gas Accidents
- Training and Institutional Information
 - Training courses
 - Forum UNI-CIG and thematic workshops
 - Toll-free numbers: Technical and pro-Insurance

La regolazione tecnica degli usi finali del GNL

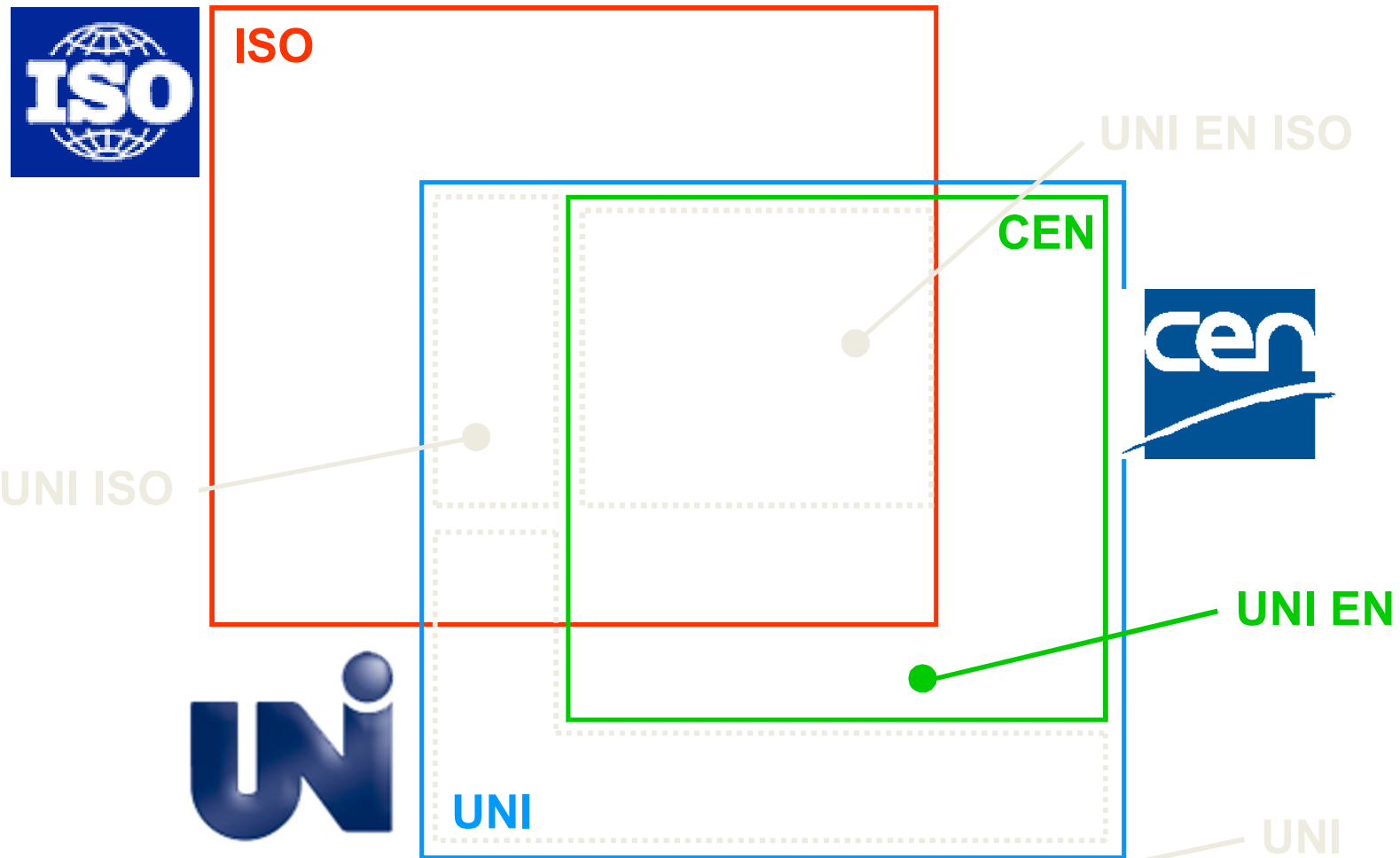
CONFERENZA GNL
2017
EXPO GNL
10-11 May 2017
Mostra d'Oltremare, Naples - Italy



La regolazione tecnica degli usi finali del GNL

CONFERENZA GNL
2017
EXPO GNL

10-11 May 2017
Mostra d'Oltremare, Naples - Italy



Legislation Vs Standards

LEGISLATION

Published in the OJ

STANDARDS

- Voluntary
- it can be used to comply with requirements defined in legislative provisions

Law n° 1083/1971

Rules for the safety in the utilization of fuel gas

- Technical Rules (art. 1)
- Gas Odorization (art. 2)
- Presumption of conformity to the state of the art using UNI CIG Standards (art. 3)

La regolazione tecnica degli usi finali del GNL

CONFERENZA GNL
2017
EXPO GNL

10-11 May 2017
Mostra d'Oltremare, Naples - Italy

Gas service according to Legislative Decree 164/00

DSO is responsible for the safety of distribution plant

DSO is entitled of Public service



Safety and continuity of gas distribution service

According to art. 27 of D.Lgs. 164/00, development Economic Ministry (MSE) has issued 3 Decrees (Technical Rules) for the gas sector

DECRETO 19 febbraio 2007

Approvazione della regola tecnica sulle caratteristiche chimico-fisiche e sulla presenza di altri componenti nel gas combustibile da convogliare.

DECRETO 16 aprile 2008

Regola tecnica per la progettazione, costruzione, collaudo, esercizio e sorveglianza delle opere e dei sistemi di distribuzione e di linee dirette del gas naturale con densità non superiore a 0,8.

DECRETO 17 aprile 2008

Regola tecnica per la progettazione, costruzione, collaudo, esercizio e sorveglianza delle opere e degli impianti di trasporto di gas naturale con densità non superiore a 0,8.

Safety and continuity

Safety and continuity of gas service are subjected to Deliberations of AEEGSI (**Authority for Electricity, Gas and Water System**)

- **Deliberation 574/2013/R/GAS** relating to DSO activity for the period 2014-2019
- **Deliberation 602/2013/R/GAS** relating to TSO activity for the period 2014-2017”.

La regolazione tecnica degli usi finali del GNL

CONFERENZA GNL
2017
EXPO GNL

10-11 May 2017
Mostra d'Oltremare, Naples - Italy



Thank you for the Attention

Follow us:

www.cig.it

Twitter

[@CIGnorme](https://twitter.com/CIGnorme)

Facebook

CIG.ComitatoItalianoGas